

Remote Indicator Unit

Data Sheet



Description

The RI/W/3V remote indicator unit is designed for fire detection systems requiring local indication of an individual or group of fire detectors in alarm. The unit is fitted with LED providing a wide area of illumination and high on/off contrast for easy viewing.

Using a single gang purpose designed moulding, the unit operates with all Notifier analogue addressable fire detectors.

Features

- Industrial construction
- Terminal block wiring
- Ultra-bright LED
- Suitable for analogue addressable systems.

Specifications

RI/W/3V remote indicator unit

Mechanical Specification

| | RI/W/3V |
|---------------------------|--|
| Height: | 100mm |
| Width: | 89mm |
| Body colour: | white with red lettering |
| Wire gauge for terminals: | 1.5mm ² |
| Mounting | Designed to fit to a standard UK BS1363 single gang back-box |

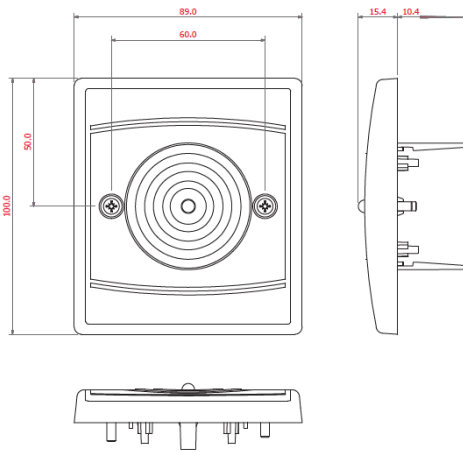
Electrical Configuration

| | RI/W/3V |
|--------------------|-------------|
| Operating voltage: | 5 - 28 V dc |

| System | Resistance | Terminals | Current |
|-------------|------------|-----------|-----------|
| Addressable | 0Ω | 2,3 | 28 mA Max |

Installation Recommendations

For analogue addressable systems connect across LED (terminals 2 & 3)



Dimensions: mm

Product Range at a Glance

| | Part Number |
|---|-------------|
|  Remote Indicator Unit | RI/W/3V |