

# Electronic Bells

## Data Sheet



Notifier by Honeywell offers an electronic bell for a wide range of applications. The combination of a miniature solenoid with an integrated control circuit allows excellent sound coverage, minimum current consumption and increased reliability. The improved aesthetics make the bell suitable for all applications including the most prestigious locations.

EN 54-3 compliant electronic bells for a wide range of applications. Available in red or grey metal casing and suitable for both semi flush and surface mounting.

### Key Features

- Modern design
- Clip together assembly
- Weatherproof kit option
- High “ring” output

### Benefits

- Suitable for all locations
- Easy to fit
- Provides protection up to IP44C with weather resistant option
- Easily identified signal

## Electronic Bells

EN 54-3 compliant electronic bells for a wide range of applications. Available in red or grey metal casing and suitable for both semi flush and surface mounting.



## Specifications

### Electronic Bells - 04390-41

#### Electrical Specification

Voltage:	12Vdc	24Vdc	240Vac
Current:	55 - 65mA	25 - 35mA	20 - 30mA
Sound Output:	93 - 95dB(A)		
Monitoring:	Reverse polarity (dc only)		

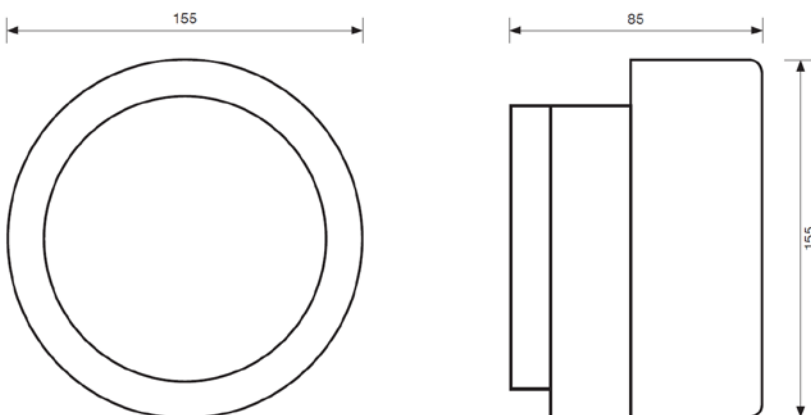
#### Mechanical Specification

Construction:	Gong -steel, base - polycarbonate		
Weight:	1.1kg	1.1kg	1.2kg
Colours:	Gong - Red or Grey, Base - Black		





#### Environmental Specifications

Temperature:	- 25°C to + 70°C
Protection:	IP21C / IP44C (Weather Resistant Option)

#### Dimensions (mm)



## Product Range at a Glance

	Part Number
 Electronic Solenoid Bell 24V DC, Red IP21	74430-88NM
 Electronic Solenoid Bell 24V DC, Red Weather Resistant IP44	74432-88NM
 Electronic Solenoid Bell 230V AC Grey Weather Resistant IP44	74333-50NM
 Electronic Solenoid Bell 12V DC, Grey IP21	74431-66NM



Caburn House | T: +44 (0) 116 246 2255  
Brooks Road | F: +44 (0) 116 246 2210  
Lewes, E. Sussex, | E: sales@notifierfiresystems.co.uk  
BN7 2BY, UK | www.notifierfiresystems.co.uk