

EMERGENCY ASSIST ALARM RANGE

Emergency Voice Communication System

The Emergency Assist Alarm Kit has been specifically designed to integrate disabled call functions into the EVCS Network or EVCS Compact ranges.

The Emergency Assist Alarm Stand Alone Kit provides the perfect solution for conformity with the Building Regulations Document M and Equality Act 2010.

This is a simple 2 wire system that has been specifically designed to meet the needs of disabled service users and conforms to all the relevant requirements; Disability Rights Commission code of practice, English Tourism Council Recommendations and RNIB signage guidelines.

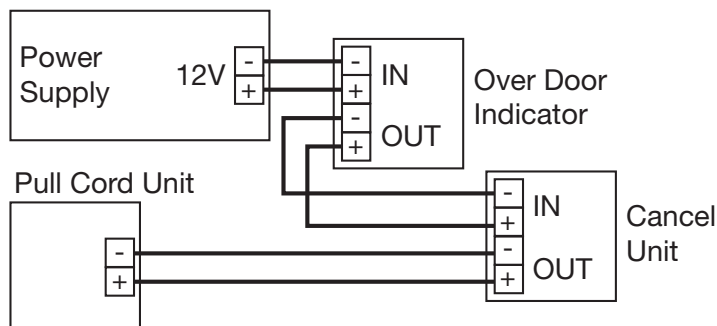
The use of combined high output blue LED indication and buzzer ensures a response to the call. The Emergency Assist Alarm Stand Alone Kit comprises of all the components needed to install a fully compliant system, with additional parts available separately.



FEATURES AND BENEFITS

- High contrast labels
- Blue indication
- Complies with regulations & recommendations
- Quick and simple installation, with limited cabling requirements
- High contrast printing for increased visibility
- Dual loop pull cord
- Tactile braille signage to assist partially sighted people to easily operate the cancel Plate

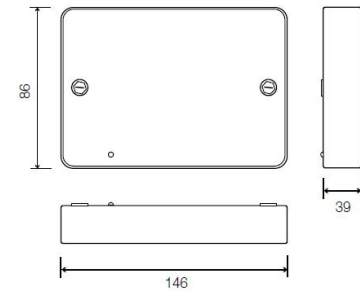
TYPICAL SYSTEM ARCHITECTURE



4 Way Splitter Unit Technical Specification

POWER SUPPLY UNIT

Dimensions (W x H x D)	146 mm x 86 mm x 39 mm
ELECTRICAL SPECIFICATION	
Mains	230V ac +10% -15%
Output	12V dc (nominal)
PHYSICAL	
Construction	Flame retardant Polycarbonate



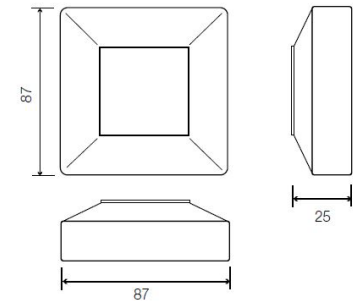
Power Supply Unit Dimensions

OVER DOOR INDICATOR

Dimensions (W x H x D)	87mm x 87 mm x 31.5 mm
ELECTRICAL SPECIFICATION	
Operating Voltage	12V dc (nominal)
PHYSICAL	
Construction	Flame retardant Polycarbonate

CANCEL BUTTON

Dimensions (W x H x D)	87mm x 87 mm x 25 mm
ELECTRICAL SPECIFICATION	
Operating Voltage	12V dc (nominal)
PHYSICAL	
Construction	Flame retardant Polycarbonate



Cancel button Dimensions

PULL CORD UNIT

Dimensions (W x H x D)	87mm x 87 mm x 30.5 mm
ELECTRICAL SPECIFICATION	
Operating Voltage	12V dc (nominal)
PHYSICAL	
Construction	Flame retardant Polycarbonate

ORDER CODES

DESCRIPTION	ORDER CODE
Emergency Assist Alarm Stand Alone Kit- Supplied with PSU (1x Power Supply Unit, 1x Over Door Indicator, 1x Cancel Button, 1x Pull Cord Unit, 1x Disabled Sticker)	EVCS-TAP
Emergency Assist Alarm Network Version- PSU not included (1x Over Door Indicator, 1x Cancel Button, 1x Pull Cord Unit, 1x Disabled Sticker)	EVCS-TA

For more information

Contact your Business Manager

Honeywell

140 Waterside Road
Hamilton Industrial Park
Leicester, LE5 1TN
Tel: +44 (0) 203 409 1779