

NETWORK 8 EXCHANGE UNIT

Emergency Voice Communication System

The Network 8 Line Exchange Unit delivers an efficient solution to larger EVCS sites with distributed loop based architecture.

EVCS Network 8 is a system for larger Disabled Refuge and Emergency telephone installations. Its distributed loop architecture provides a competitive scalable system for up to 256 communication points.

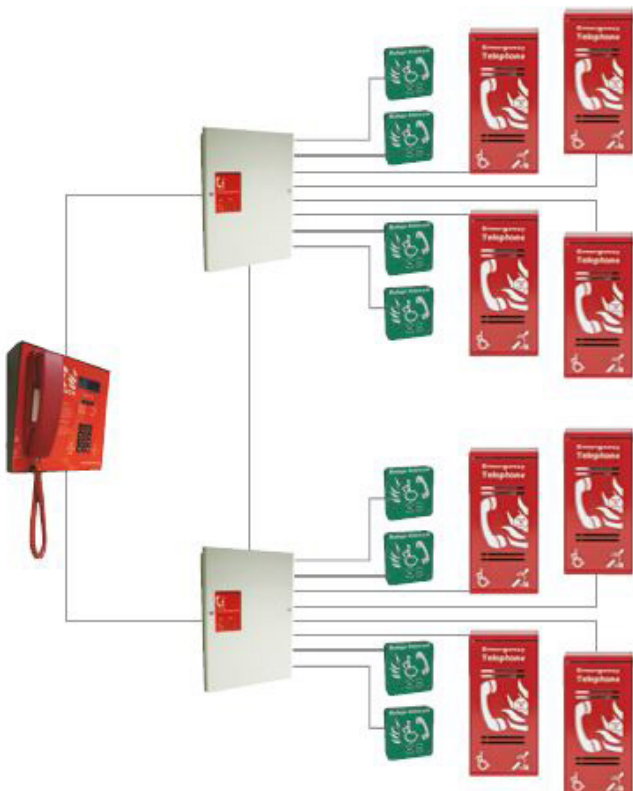
The Network Exchange Unit provides connectivity for 8 call stations. Larger systems are achieved by adding more Exchange Units each installed locally to the area of operation delivering a secure and cost effective installation.



FEATURES AND BENEFITS

- Modular scalable system architecture for efficient installation
- Loop based network for fault resilience
- Up to 160 outstations via 20 Network Exchange units with V4.21 software
- Compact wall mounted unit
- Output relay to control external equipment such as VA/PA
- Built in power supply and battery back-up
- Power supply for System Master Handsets
- Global configuration from Master Handset
- Up to 256 Outstations via 32 Network Exchange units with V5.0 software

SCHEMATIC



Network 8 Technical Specification

INDICATION AND CONTROLS

Fault LEDs	1.0 off yellow (General, PSU, 8 lines)
Status LEDs	2 off green (AC & DC)
Settings	8 way DIP switch

OUTSTATION CABLES

Cable (per line)	1 off 2 core (twisted for MICC)
Distance (per leg)	500M soft Skin types, 300M MICC
Monitoring	DC open, short & earth

NETWORK CABLES

Cores	1 off four Pair or 2 off four core 1 mm CSA Soft Skin or 4 off 1 Pair MICC Twisted
Distance	500M soft skin, 300M MICC

PROCESSING

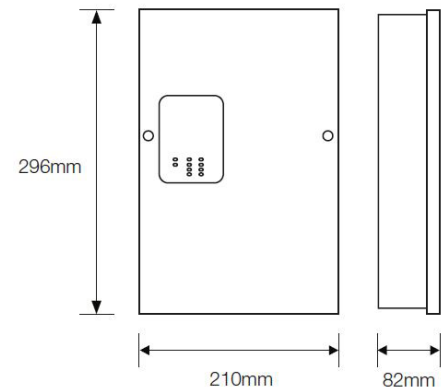
Clock	16MHz
Memory	4K Ram 20K EEPROM 128K Flash
Monitoring	Asynchronous Watchdog
Checksum	EEPROM & Flash

PART NUMBERS

DESCRIPTION	ORDER CODE
8 Way Exchange Unit/Charger, including 1 x 5Ah 12V battery	EVCS-XC
Master Handset (Desk)	EVCS-MS
Flush Outstation Push Door, Type A	EVCS-HFP
Surface Station Push Door, Type A	EVCS-HSP
Surface Outstation Type B, Red	EVCS-HSB
Surface Outstation Type B, Green	EVCS-HSBG
Surface Outstation Type B, Stainless Steel	EVCS-SFSS
Flush Mounting Bezel Type B, Stainless Steel	VCFHB
Loose Handset With Jack Lead	EVCS-HLJ
Wall Jack Outlet Point	EVCS-WJP
Emergency Assist Alarm Network Version- PSU not included	EVCS-TA

DIMENSIONS

Height	296 mm
Width	210 mm
Depth	82 mm
Weight	1.6 kg



POWER SUPPLY

Voltage	230V AC \pm 20%
Current	11mA
Charger	1A Controlled Impedance
Charger	Open, short & High impedance cell

STANDARDS

EMC	EN 55103-1 & EN 55103-2
LVD	EN61000-3-2, EN61000-3-3, EN60950
Product Family	BS 5839-9 & BS 9999

For more information

Contact your Business Manager

Honeywell

140 Waterside Road
Hamilton Industrial Park
Leicester, LE5 1TN
Tel: +44 (0) 203 409 1779