

TYPE A OUTSTATION

Emergency Voice Communication System

The Type A handset is a fully monitored unit which is available in both a flush or surface mount application and comes in standard red or the option of Stainless Steel

The EVCS Type A Outstation is designed to fully comply with BS5839 Part 9:2011 for use as a Fire Telephone system, Disabled Refuge Call system or as a combined system when both Fire Telephones and Disabled Refuge Points are required.

It's a slick compact unit which offers easy access via a magnetic push catch door and a unique front levelling system allowing the back box to be mounted at a slight angle whilst still retaining a true front face and door.

The Type A Outstation is compatible with all Emergency Voice Communication Systems for use as a standard Fire Telephone or Disabled Refuge call point.

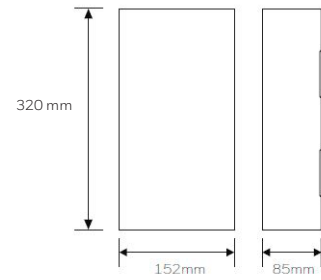


FEATURES AND BENEFITS

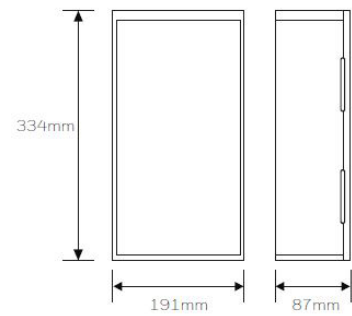
- Compact design
- High volume ringer
- Status LED
- Telecoil for hearing impaired users
- Lock door option available
- Magnetic push catch, for quick and easy access
- Stainless steel option
- Versatility, the unit can be used on Compact 5 and Network 8 EVCS Systems
- Dual use, the Type A Outstation can be used as a fire telephone or a disabled refuge call point

Type A Outstation Technical Specification

EVCS-HSP SURFACE MOUNTED	
DIMENSIONS	
Height	320 mm
Width	152 mm
Depth	85 mm
Weight	1.4 Kg (no batteries)



EVCS-HSPSS AND EVCS-HSP SURFACE MOUNT	
DIMENSIONS	
Height	334 mm
Width	191 mm
Depth	87 mm
Weight	1.4 Kg (no batteries)



STATUS LED
Flashing when ringing
Dimly lit to indicate surveillance

PART NUMBERS	
DESCRIPTION	ORDER CODE
Flush Outstation Push Door, Type A	EVCS-HFP
Surface Outstation Push Door, Type A	EVCS-HSP
Flush Outstation Type A, Push Door, Stainless Steel	EVCS-HFPSS
Surface Outstation Type A, Push Door, Stainless Steel	EVCS-HSPSS

For more information
Contact your Business Manager

Honeywell
140 Waterside Road
Hamilton Industrial Park
Leicester, LE5 1TN
Tel: +44 (0) 203 409 1779

TypeA 01 | 03/2020
© 2020 Honeywell International Inc.

Honeywell