

Network 8 Master Handset

Wall Mounted

The Emergency Voice Communications System (EVCS) is for use as a Fire Telephone system, Disabled Refuge Call system or as a combined system when both Fire Telephones and Disabled Refuge Points are required.

EVCS Network 8 is a system for larger installations. Its distributed loop architecture provides a competitive system for systems from 8 to 256 communication points as well as multiple control locations.

Designed to comply with BS5839 Part 9 2011 the EVCS is a fixed, secure, bi-directional fully-duplex voice communication system, to assist fire fighters within high rise buildings or large sites where radio communication may not be possible. Where both a fire telephone and disabled refuge system are fitted to a building BS5839 Part 9 specifies these should form a single system.

TYPICAL NETWORK 8 EMERGENCY VOICE COMMUNICATION SYSTEM

The Master Handset operates as a system exchange from which calls from individual outstations may be answered or dialled direct using its reference number or selected from a calling directory stored in the unit.



EVCS MASTER HANDSET

Control of EVCS is simplicity itself, the master handset has a clear, four line backlit display which shows the calling outstation name in plain text. Calls can be made to outstations by either dialling the number of the unit, or choosing the name from a text dialling directory, with conference calling possible.

TECHNICAL SPECIFICATION

Dimensions:	
Height	300 mm
Width	350 mm
Depth	90 mm
Weight	6.5Kg

KEY FEATURES

- Multiple handsets with up to 8 distributed throughout the system
- Up to 160 outstations via 20 Network Exchange units with V4.21 software
- Up to 256 outstations via 32 Network Exchange units with V5.0 software
- 4 line x 20 character backlit display
- Outstation text information held in handset directory
- May be used as combined or separate Disabled Refuge and Fire Telephone System
- Global configuration from Master Handset
- All Call feature allows easy testing and commissioning
- Remotely powered from network exchange unit
- Full duplex communications with Outstations
- Connects to Disabled Refuge, Fire Telephone and Emergency Assist Alarm devices

INDICATION AND CONTROLS

Fault LEDs	4 off yellow (General, Panel, Supply & Exchange)
Status LEDs	4 off green (Healthy, AC, DC & Network)
LCD High Contrast	Blue/White LCD, four line twenty-character 5x8 pixel format
Keyboard	12 Key Telephone Style
Navigation	3 Keys (Left, Accept, Right)
Material	Zintec, Texture Powder Coated, RAL7032

NETWORK CABLES

Type	Fire rated (some installations require enhanced cabling)
Cores	1 off four Pair or 2 off four core 1mm CSA Soft Skin or 4 off 1 Pair MICC Twisted
Distance	500M soft skin, 300M MICC
Monitoring	Data and Phantom Voltage

STANDARDS COMPLIANCE

EMC	EN55103-1, EN55103-2
Standards	BS5839-pt9, BS9999

ELECTRICAL SPECIFICATION

Power Supply:

Source	Network Port x 2
Voltage	11V to 18V DC
Current	88mA @ 12V

PROCESSING

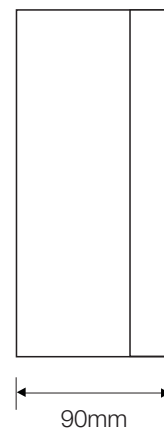
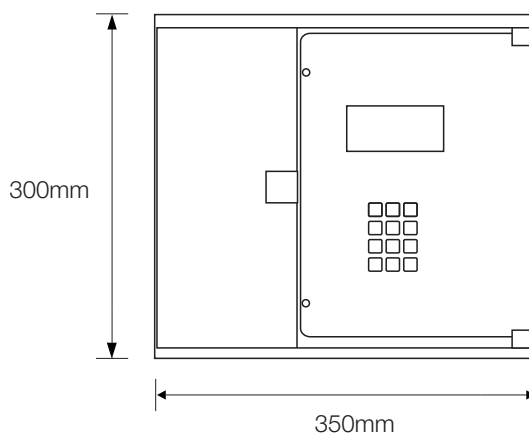
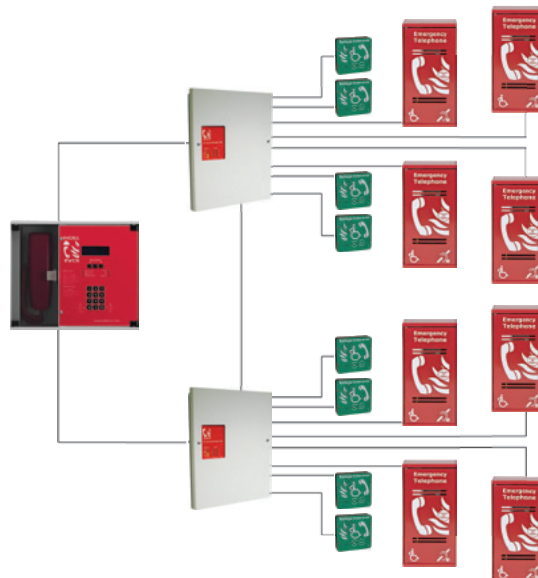
Clock	16MHz
Memory	4K Ram 20K EEPROM 128K Flash
Monitoring	Asynchronous Watchdog
Checksum	EEPROM & Flash

ORDER CODES

Model:	Description:
EVCS-MSWM	Master Handset (Wall)

SYSTEM COMPONENTS

EVCS-XC	8 Way Exchange Unit/Charger, including 1 x 5Ah 12V battery
EVCS-HFP	Flush Outstation Push Door, Type A
EVCS-HSP	Surface Station Push Door, Type A
EVCS-HSB	Surface Outstation Type B, Red
EVCS-HSBG	Surface Outstation Type B, Green
EVCS-HSFSS	Surface Outstation Type B, Stainless Steel
VCFHB	Flush Mounting Bezel Type B, Stainless Steel
EVCS-HLJ	Loose Handset With Jack Lead
EVCS-WJP	Wall Jack Outlet Point
EVCS-TA	Emergency Assist Alarm Network Version – PSU not included



Honeywell

140 Waterside Road
Hamilton Industrial Park
Leicester
LE5 1TN

Tel: +44 (0) 203 409 1779

Email: hlsuksalesupport@honeywell.com

October 2017
© 2017 Honeywell International Inc.

Honeywell

Network 8 Master Handset

Desk

Control of EVCS is simplicity itself. The Network 8 System Master Handset allows swift identification of Outstations via its on-board directory and clear backlit display.

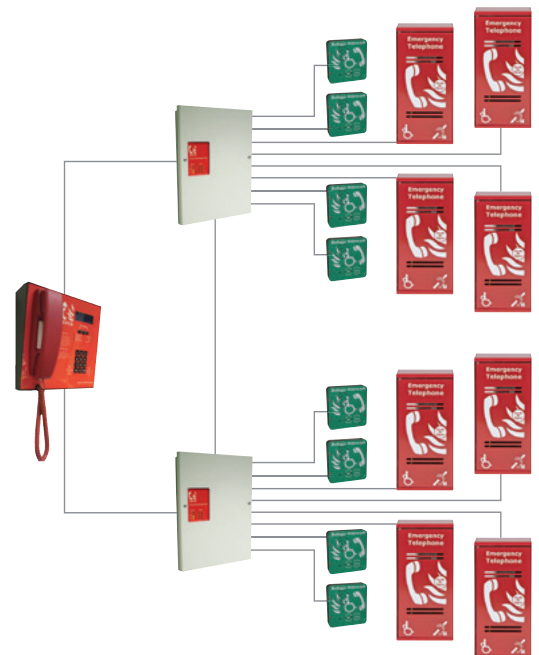
EVCS Network 8 is a system for larger Disabled Refuge and Emergency telephone installations.

Its distributed loop architecture provides a competitive system for systems from 8 to 256 communication points as well as multiple control locations.

The Master Handset operates as a system exchange from which calls from individual outstations may be answered or dialled directly using its reference number or selected from a calling directory stored in the unit.



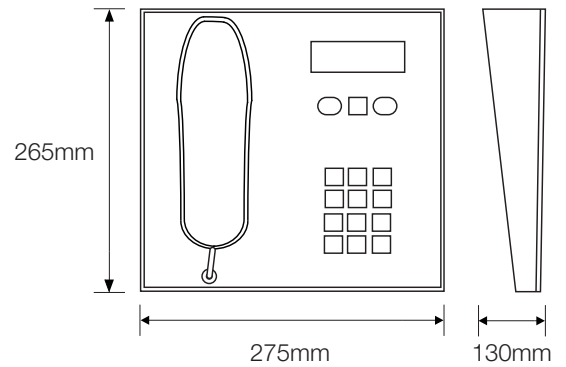
DIMENSIONS	
Height	265 mm
Width	275 mm
Depth	130 mm
Weight	1.490 kg
INDICATION AND CONTROLS	
Fault LEDs	4 off yellow (General, Panel, Supply & Exchange)
Status LEDs	4 off green (Healthy, AC, DC & Network)
LCD High Contrast	Blue/White LCD, four line twenty-character 5x8 pixel format
Keyboard	12 Key Telephone Style
Navigation	3 Keys (left, Accept, right)
NETWORK CABLES	
Cores	1 off four Pair or 2 off four core 1 mm CSA Soft Skin or 4 off 1 Pair MICC Twisted
Distance (per leg)	500 M soft Skin types, 300 M MICC
Distance	500 M soft Skin, 300 M MICC



KEY FEATURES

- Multiple handsets with up to 8 distributed throughout the system
- Up to 160 outstations via 20 Network Exchange units with V4.21 software
- Up to 256 outstations via 32 Network Exchange units with V5.0 software
- 4 line x 20 character backlit display
- Outstation text information held in handset directory
- May be used as combined or separate Disabled Refuge and Fire Telephone System
- Global configuration from Master Handset
- All Call feature allows easy testing and commissioning
- Remotely powered from network exchange unit
- Full duplex communications with Outstations

STANDARDS COMPLIANCE	
EMC	EN55103-1,EN55103-2
Product Family	BS5839-pt9, BS9999
ELECTRICAL SPECIFICATION	
Power Supply:	
Source	Network Port x2
Voltage	11V to 18V DC
Current	88mA @ 12V
PROCESSING	
Clock	16MHz
Memory	4K Ram, 20K EEPROM, 20K EEPROM, 128K Flash
Monitoring	Asynchronous Watchdog
Checksum	EEPROM & Flash



ORDER CODES	
Model:	Description:
EVCS-MS	Master Handset (Desk)
SYSTEM COMPONENTS	
EVCS-XC	8 Way Exchange Unit/Charger, including 1 x 5Ah 12V battery
EVCS-HFP	Flush Outstation Push Door, Type A
EVCS-HSP	Surface Station Push Door, Type A
EVCS-HSB	Surface Outstation Type B, Red
EVCS-HSBG	Surface Outstation Type B, Green
EVCS-HSFSS	Surface Outstation Type B, Stainless Steel
VCFHB	Flush Mounting Bezel Type B, Stainless Steel
EVCS-HLJ	Loose Handset With Jack Lead
EVCS-WJP	Wall Jack Outlet Point
EVCS-TA	Emergency Assist Alarm Network Version- PSU not included

Honeywell

140 Waterside Road
Hamilton Industrial Park
Leicester
LE5 1TN
Tel: +44 (0) 0203 409 1779
Email: hlsuksalesupport@honeywell.com

October 2017
© 2017 Honeywell International Inc.

Honeywell

Network 8

8 Line Exchange Unit

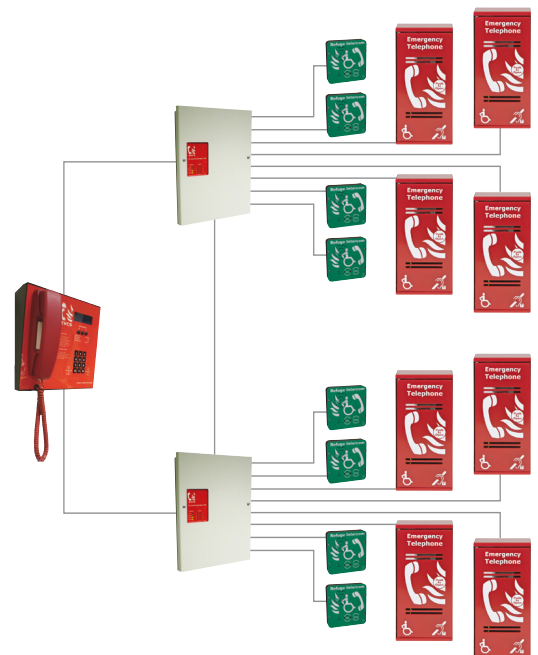
The Network Exchange Unit delivers an efficient solution to larger EVCS sites with distributed loop based architecture.

EVCS Network 8 is a system for larger Disabled Refuge and Emergency telephone installations. Its distributed loop architecture provides a competitive scalable system for up to 256 communication points.

The Network Exchange Unit provides connectivity for 8 call stations. Larger systems are achieved by adding more Exchange Units each installed locally to the area of operation delivering a secure and cost effective installation.



DIMENSIONS	
Height	338 mm
Width	212 mm
Depth	118 mm
Weight	6 kg
INDICATION AND CONTROLS	
Fault LEDs	10 off yellow (General, PSU, 8 lines)
Status LEDs	2 off green (AC & DC)
Settings	8 way DIP switch
OUTSTATION CABLES	
Cable (per line)	1 off 2 core (twisted for MICC)
Distance (per leg)	500M soft Skin types, 300M MICC
Monitoring	DC open, short & earth
NETWORK CABLES	
Cores	1 off four Pair or 2 off four core 1 mm CSA Soft Skin or 4 off 1 Pair MICC Twisted
Distance	500 M soft Skin, 300 M MICC



KEY FEATURES

- Modular scalable system architecture for efficient installation
- Loop based network for fault resilience
- Up to 160 outstations via 20 Network Exchange units with V4.21 software
- Up to 256 Outstations via 32 Network Exchange Units with V5.0 software
- Output relay to control external equipment such as VA/PA
- Built in power supply and battery back-up
- Power supply for System Master Handsets
- Global configuration from Master Handset
- Compact wall mounted unit
- Full duplex communications with Outstations

STANDARDS COMPLIANCE

EMC	EN55103-1, EN55103-2
LVD	EN61000-3-2, EN61000-3-3, EN60950
Product Family	BS5839-pt9, BS9999, EN54-4

ELECTRICAL SPECIFICATION

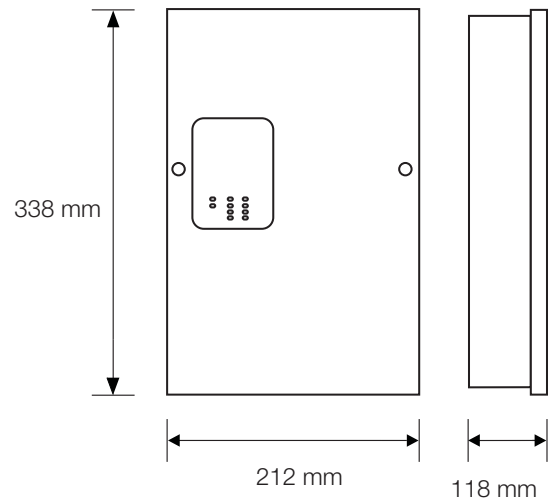
Power Supply:	
Voltage	230V AC \pm 20%
Current	11mA
Charger	1A Controlled Impedance
Charger	Open, short & High impedance cell

ORDER CODES

Model:	Description:
EVCS-XC	8 Way Exchange Unit/Charger, including 1 x 12Ah 12V battery

SYSTEM COMPONENTS

EVCS-MS	Master Handset (Desk)
EVCS-MSWM	Network 8 Master Handset - Wall Mount
EVCS-HFP	Flush Outstation Push Door, Type A
EVCS-HFPSS	Flush Station Type A, Push Door, Stainless Steel
EVCS-HSP	Surface Station Push Door, Type A
EVCS-HSPSS	Surface Station Type A, Push Door, Stainless Steel
EVCS-VCFHB	Flush Mounting Bezel Type B, Stainless Steel
EVCS-HSB	Surface Outstation Type B, Red
EVCS-HSBG	Surface Outstation Type B, Green
EVCS-HSFSS	Surface Outstation Type B, Stainless Steel
EVCS-HLJ	Loose Handset With Jack Lead
EVCS-WJP	Wall Jack Outlet Point
EVCS-TA	Emergency Assist Alarm Network Version- PSU not included



Honeywell

140 Waterside Road
Hamilton Industrial Park
Leicester
LE5 1TN

Tel: +44 (0) 203 409 1779

Email: hlsuksalesupport@honeywell.com

All technical data is correct at the time of publication and is subject to changes without notice. All trademarks acknowledged. Installation information: In order to ensure full functionality, refer to the installation instructions as supplied.

October 2018

© 2018 Honeywell International Inc.

Honeywell